

**Compact sewage disposal unit
with submersible waste water pumps
with cutting system.**

Saniboy G, Sanimaster G



Application

HOMA Saniboy G and Sanimaster G are compact sewage disposal units. They are suitable for pumping sewage and waste water from toilets, hand basins, showers and rooms which are below the sewer level (see DIN EN 12056), or in areas of low population or under difficult topographic conditions where small dimensioned discharge pipes are required. With the advantage of using discharge pipes either DN 40 or DN 50 diameter the construction work and the cost are lower in respect to the conventional discharge pipes. They are suitable as a single pump station (Saniboy G) or as a twin pump station (Sanimaster G).

DIN EN 12050-1: Conformity and design approved and controlled by LGA, Certificate No. 0220119.

Pumped medium: Waste water or sewage containing soft solids. Max. medium temperature: 35°C short term up to 60°C.

Operation: Intermittent.

Design

Flood protected single or twin pump lifting station consisting of:

Collecting tank: Odour and gas tight plastic collecting tank.

Inlets:

DN 100/DN 50 horizontal (optional with 180 mm or 250 mm height)

DN 100/DN 50 vertical

Air vent union: DN 70 vertical.

Connection for diaphragm pump: BSP 1" F.

Cleaning cover with screw cap.

Pump: Single stage centrifugal pump with horizontal discharge. Open multi-channel impeller with cutting system. Sanimaster G with 2 pumps.

Discharge: BSP 2" M.

Motor: Fully submersible, pressure tight electric motor, 1 Ph or 3 Ph. Thermal sensors embedded in the winding. Insulation class F. Degree of protection IP 68.

Shaft/Bearings: Large diameter stainless steel rotor shaft, pre-lubricated bearings.

Seals: Model GRP 16 with combination of mechanical seal (silicon carbide) and lip seal in oil chamber. Model GRP 26 with 2 mechanical seals (silicon-carbide) in oil chamber. Oil inspection from outside.

Explosion protection: All models are available with explosion proof motors according to  II 2 G EEx d [ib] IIBT4.

Materials:

Collecting tank	Plastic
Pump housing, impeller, motor housing	Cast iron GG25
Cutter system	Stainless steel 1.4528
Rotor shaft, screws	Stainless steel
Seal kit	Perbonane



Technical Data

Saniboy G: Single pump station
Sanimaster G: Twin pump station

Type		Motor- input P ₁ (kW)	Motor- output P ₂ (kW)	Voltage 50 Hz (V)	Speed (rpm)	Nominal current (A)	Weight (kg)
Saniboy G	180-16 W* 250-16 W*	1,5	1,1	230-240/1Ph	2900	7,5	37
	180-16 D* 250-16 D*	1,3	0,9	400-415/3Ph	2900	2,5	37
	180-26 D* 250-26 D*	2,5	1,9	400-415/3Ph	2900	4,4	51
Sanimaster G	180-16 W* 250-16 W*	1,5	1,1	230-240/1Ph	2900	7,5	62
	180-16 D* 250-16 D*	1,3	0,9	400-415/3Ph	2900	2,5	62
	180-26 D* 250-26 D*	2,5	1,9	400-415/3Ph	2900	4,4	89

* Height to main horizontal inlet in mm Performance data for each pump

Collecting tank Inlets heights mm	Saniboy G		Sanimaster G	
	180 mm	250 mm	180 mm	250
Total volume	46 l	46 l	46 l	46 l

Inlets: DN 100 (2 x), DN 50 Discharge: BSP2" M Air vent: DN 70 Connection for diaphragm pump: BSP 1" F	Cable Unit- control box Control box- plug	Type A05-F7x1,5 H07 RN-F5G 1,5	Length 3 m 0,8 m
---	---	--------------------------------------	------------------------

Control box

Pneumatic level control with pressure control. Electronic control box for control and monitoring all important functions with advice of any problems. Motor protection with temperature control of the winding. Optical indication for unit failure. Alarm signal through integral buzzer. Volt free contact for remote signal. Control indication for direction of rotation. Motor over run period which prevents sewage build up and blockage.

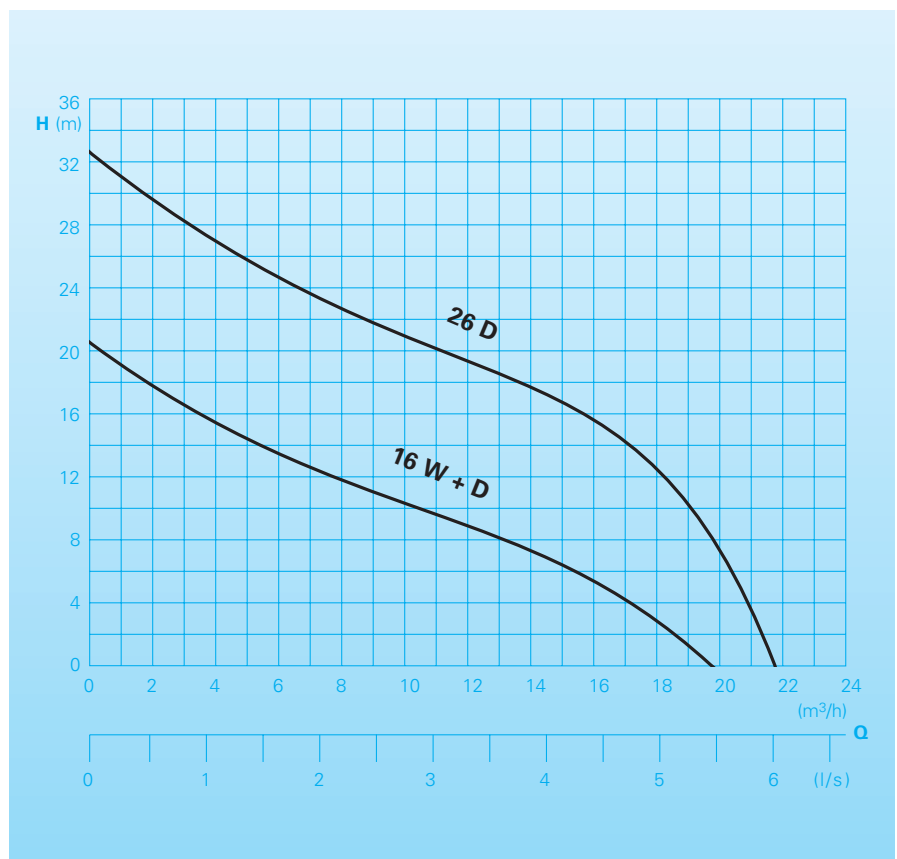
Easy conversion to mains independent alarm through installing a 9,6 V battery (see accessories).



Additionally for twin pump station Sanimaster:

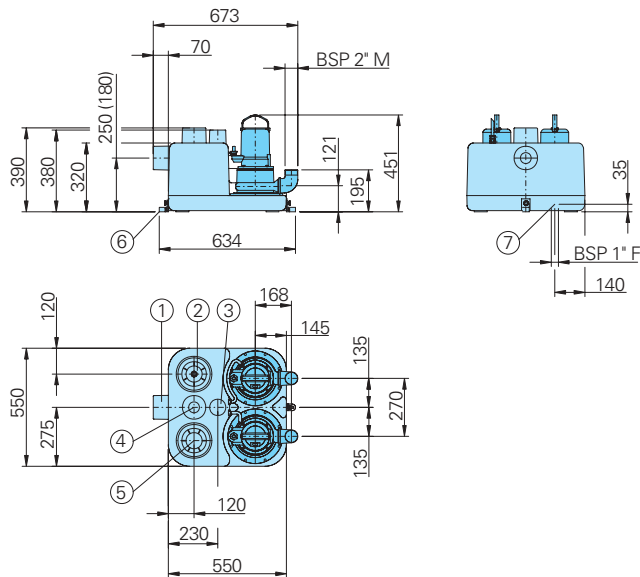
Auto-change over after each pump cycle. Operation of second pump by high flow. In the event of failure one pump automatically changes to the second pump.

Performances

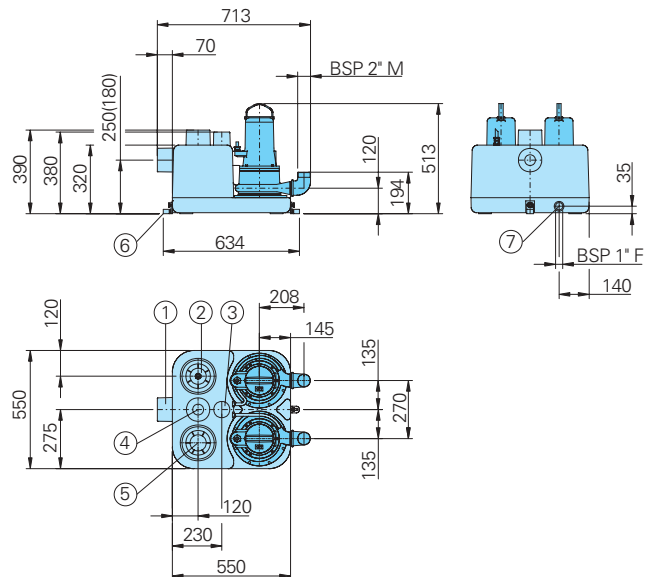


Dimensions

Saniboy G...-16 W+D
Sanimaster G...-16 W+D



Saniboy G...-26 D
Sanimaster G...-26 D



① Horizontal inlet DN 100

② Connection for Pneumatic level control

③ Air vent DN 70

④ Vertical inlet DN100/DN50

⑤ Cleaning cover

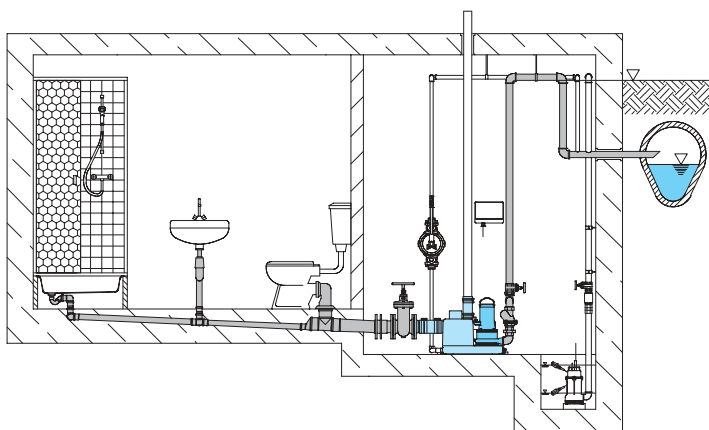
⑥ Tank fixing point

⑦ Connection for diaphragm pump

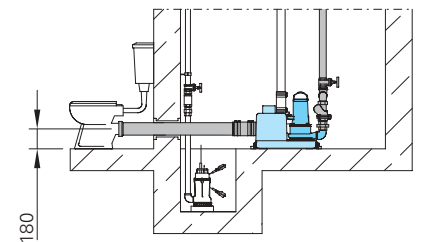
all dimensions in mm

Installations

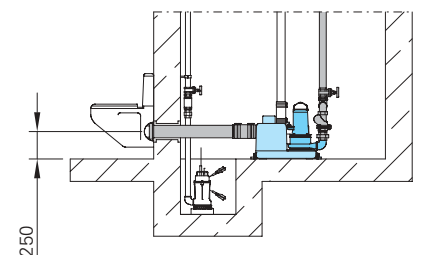
Main inlet
horizontal



Direct connection
Euro-WC
(Inlet height 180 mm)



Direct connection
Free standing WC
(Inlet height 250 mm)

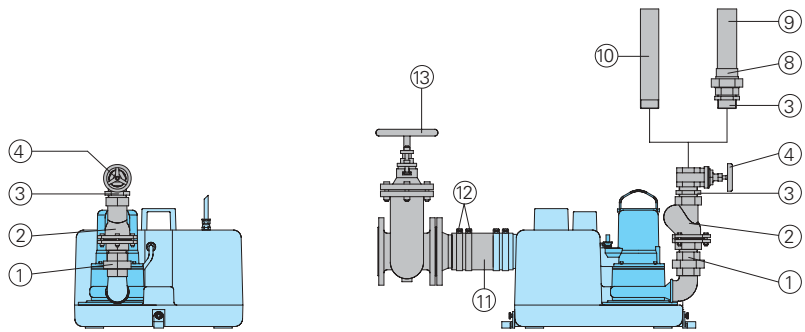


Equipment supplied

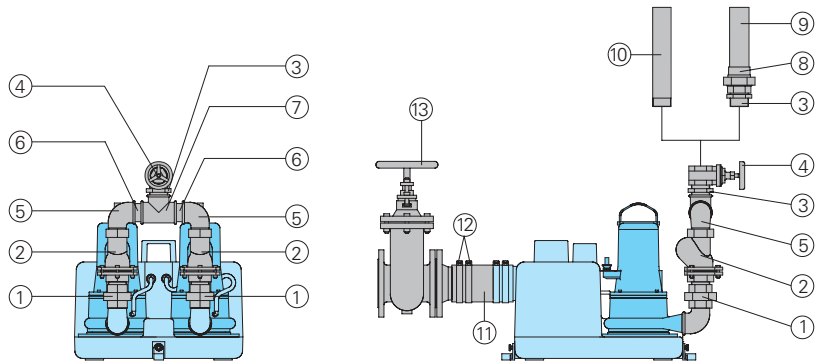
Tank with 1 pump (Saniboy G) 2 pumps (Sanimaster G). Discharge with 90° elbow BSP 2" M. Elastic union piece for inlet DN 100 and air vent DN 70 with bands. Pneumatic level control. Electronic control box with cable.

Accessories

Saniboy G



Sanimaster G



Part Description	Dimension	Part No.	Part Description	Dimension	Part No.
① Galvanized union piece	BSP 2" F/M	2114321	⑨ Plastic pipe, per m	63 mm dia.	On request
② Cast iron swing check valve	BSP 2" F	2212903	⑩ Galvanized threaded pipe	BSP 2"	On request
③ Galvanized double nipple	BSP 2" M	2009018	⑪ Flanged elastic union piece	DN 100	2159041
④ Bronze gate valve	BSP 2" F	2216020	⑫ Hose band	S115/20	2311520
⑤ 90° galvanized elbow	BSP 2" F/M	2111506	⑬ Flanged gate valve	DN 100	2216100
⑥ Galvanized nipple	BSP 2" Mx40	2114225	Diaphragm pump cast iron, with gasket and screw	BSP 1" F	8502445
⑦ T-piece	BSP 2" F	2114306	Battery for mains-independent alarm	9,6 V	1952204
⑧ Adaptor union, plastic to galvanized	BSP 2" F	2109130			

HOMA
P U M P T E C H N O L O G Y

HOMA Pumpenfabrik GmbH
P.O. Box 22 63, D-53814 Neunk.-Seelscheid
Tel. ++49(0)22 47/702-0, Fax ++49(0)22 47/702-44
e-mail: info@homa-pumpen.de
www.homapumps.com