

Submersible drainage pumps jacket cooled for clear water and drainage water.

H 501 – H 506

Application

HOMA H 501 – H 506 are wear resistant submersible drainage pumps for pumping clear water or drainage water with abrasive sand or mud additives. They are used to pump surface water from sumps, subways and building sites, for supply of industrial water, applications on board ships etc. The water jacket cooled motor with the top discharge protects the motor against overheating even during sip operation.

Installation: Transportable or permanent. Models with float switch control for automatic pump operation, depending on medium level in the sump.

Pumped medium: Clear water or drainage water with abrasive (e.g. sand) solids. Max. medium temperature: 35°C, short term up to 60°C.

Design

Fully submersible, compact integrated motor-pump unit consisting of:

Pump: Single stage centrifugal pump with vertical discharge BSP 1 1/2" F.

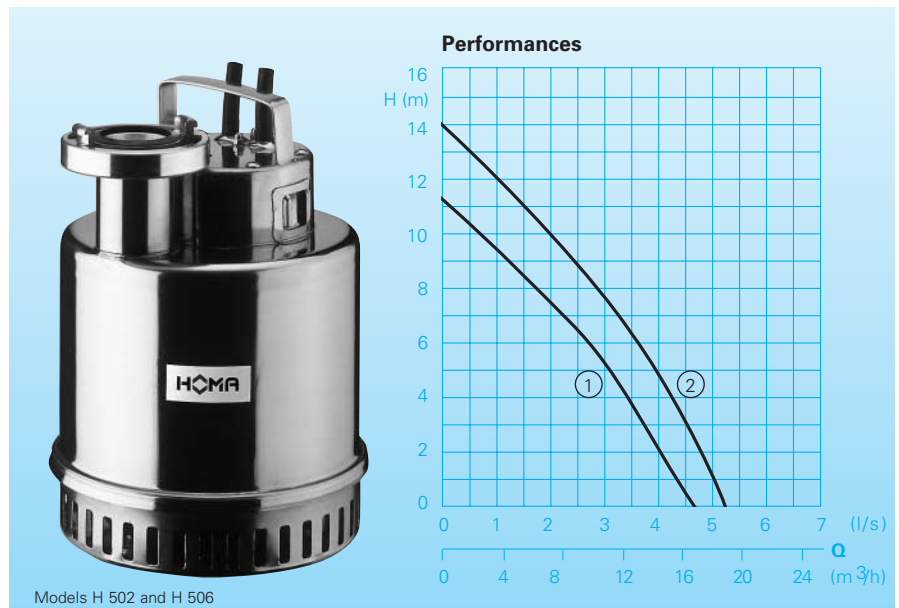
Impeller: Open multi-channel impeller, spherical clearance 10 mm.

Motor: Fully submersible, pressure tight electric motor, oil-filled. Insulation class F. Motor protection IP 68. Cable connection chamber totally isolated from motor housing. All 1 phase models with thermal sensors embedded in motor winding.

Cable: H07RN-F4G1,5
Model W: H07RN-F3G1

Shaft/Bearing: Large diameter stainless steel rotor shaft, pre-lubricated bearings.

Seals: Combination of mechanical seals with lip seal.



Technical Data

Curve No.	Pump type	Motor input P ₁ (kW)	Motor output P ₂ (kW)	Voltage 50 Hz (V)	Nominal current (A)	Discharge	Weight (kg)
①	H 501 W(A)	1,2	0,8	230-240/1Ph	5,0	BSP 1 1/2" F	9
①	H 502 W(A)	1,2	0,8	230-240/1Ph	5,0	BSP 1 1/2" F	9
①	H 502 D(A)	1,0	0,8	400-415/3Ph	2,0	BSP 1 1/2" F	9
②	H 505 W(A)	1,5	1,1	230-240/1Ph	6,9	BSP 1 1/2" F	11
②	H 506 W(A)	1,5	1,1	230-240/1Ph	6,9	BSP 1 1/2" F	11
②	H 506 D(A)	1,3	0,9	400-415/3Ph	2,4	BSP 1 1/2" F	11

Speed: 2900 rpm

Other voltages are available upon request

Model A: With automatic level control
HOMA-Nivomatik

Materials:	
Pump housing, motor housing	Stainless steel
Impeller	Stainless steel, plastic coated
Suction sieve	Stainless steel, additionally NBR rubberized
Mechanical seal	Carbon-graphite/Chrome-steel
Seal kit	NBR

Equipment supplied

Models H 502 and H 506 with STORZ-fixed coupling (size C).

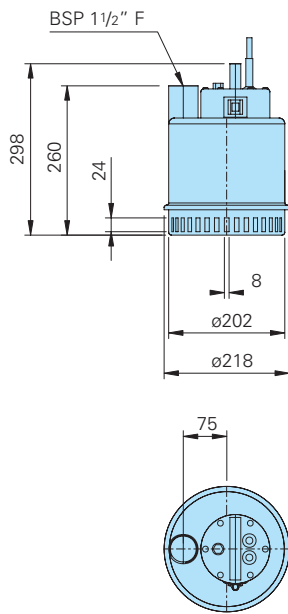
Model W (230-240V/1Ph): Models H 501 and H 505 supplied with 10 m of cable, models H 502 and H 506 supplied with control box fitted with overload protection, capacitor, on-off-switch and 10 m of cable.

Model D (400-415V/3Ph): Supplied with control box fitted with overload protection, control of direction of rotation, on-off-switch and 10 m of cable.

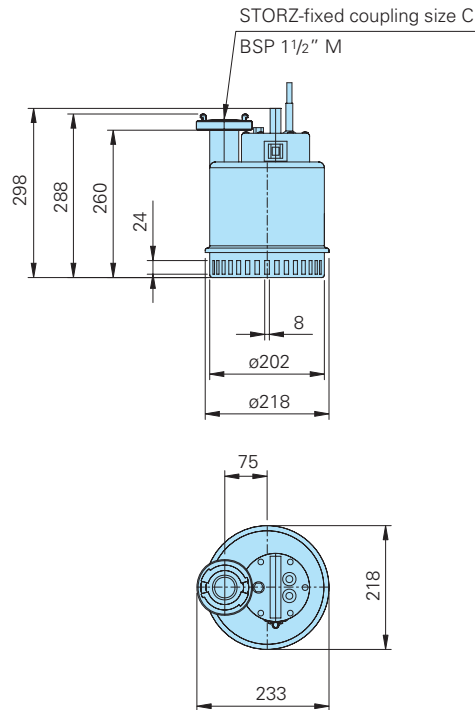
Model A: With additional automatic level control float switch, manual-auto-switch.

Dimensions

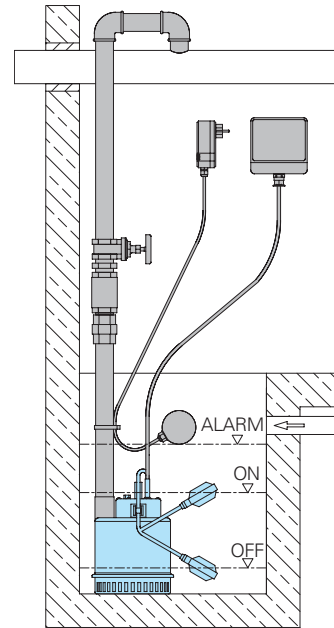
H 501, H 505



H 502, H 506

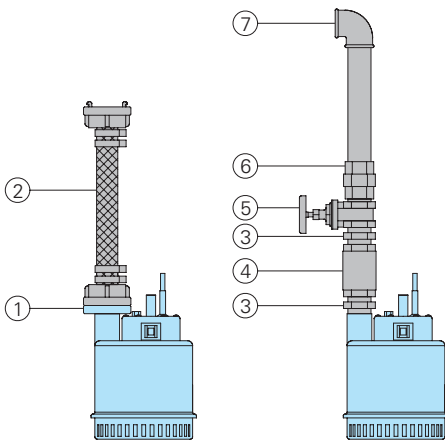


Wet well installation with pipework, level control, control box and additional alarm device.



all dimensions in mm

Accessories



Part Description	Dimension	Part No.	Part Description	Dimension	Part No.
① STORZ-fixed coupling (H 502 and H 506 equipment supplied)	C-BSP 1 1/2" M	2010003	○ HOMA-Nivomatik float switch level control, conversion kit		
STA-hose coupling	BSP 1 1/2" M	2001513	- for 230-240 V/1Ph AZW 10/10	length 10 m	1430105
② PVC-hose, per m	1 1/2" Ø	2621500	- for 380-415 V/3 Ph AZD 10/10	length 10 m	1914452
Reinforced hose, per m	38 mm Ø	2632028	○ HOMA 2 poles earth leakage circuit breaker Fi 16/0,03 A		1561160
50 mm Ø	2632050		○ Alarm device AL 1 Mains-operated with connector for battery 9 V (see below) for mains-independent operation with integrated buzzer. Mains-connection 230-240 V/1 Ph		1586010
STORZ-hose coupling with spigot	C-38 mm	2013002	○ Battery for mains-independent operation		1952209
C-52 mm	2013003		○ Float switch MB, mercury free, on or off, with integr. counter weight		
Synthetic pressure hose with rubber linings and couplings	10 m	2611310	Cable length	6 m	1465706
15 m	2611315		10 m	1465710	
20 m	2611320		○ Control panel for single or twin pump station for automatic operation		on request
30 m	2611330				
Hose band	1 1/2"	2304854			
③ Double nipple	BSP 1" M	2009020			
④ Bronze non-return valve	BSP 1 1/2" F	2211313			
⑤ Bronze gate valve	BSP 1 1/2" F	2216015			
⑥ Galvanized pipe union	BSP 1 1/2" M/F	2114305			
⑦ 90° galvanized elbow	BSP 1 1/2" F	2113605			
T-piece for twin pump arrangement	BSP 1 1/2" F	2114302			

HOMA
P U M P T E C H N O L O G Y

HOMA Pumpenfabrik GmbH
PO.Box 22 63, D-53814 Neunk.-Seelscheid
Tel. ++49 (0) 2247/702-0, Fax ++49 (0) 2247/702-44
e-mail: info@homa-pumpen.de
www.homapumps.com